

256K (32K x 8) Static RAM

Features

- **Temperature Ranges**
 - Commercial: 0°C to 70°C
 - Industrial: -40°C to 85°C
 - Automotive-A: -40°C to 85°C
 - Automotive-E: -40°C to 125°C
- **High speed: 55 ns**
- **Voltage range: 4.5V–5.5V operation**
- **Low active power**
 - 275 mW (max.)
- **Low standby power (LL version)**
 - 82.5 μW (max.)
- **Easy memory expansion with $\overline{\text{CE}}$ and $\overline{\text{OE}}$ features**
- **TTL-compatible inputs and outputs**
- **Automatic power-down when deselected**
- **CMOS for optimum speed/power**
- **Available in pb-free and non Pb-free 28-lead (600-mil) PDIP, 28-lead (300-mil) narrow SOIC, 28-lead TSOP-I and 28-lead Reverse TSOP-I packages**

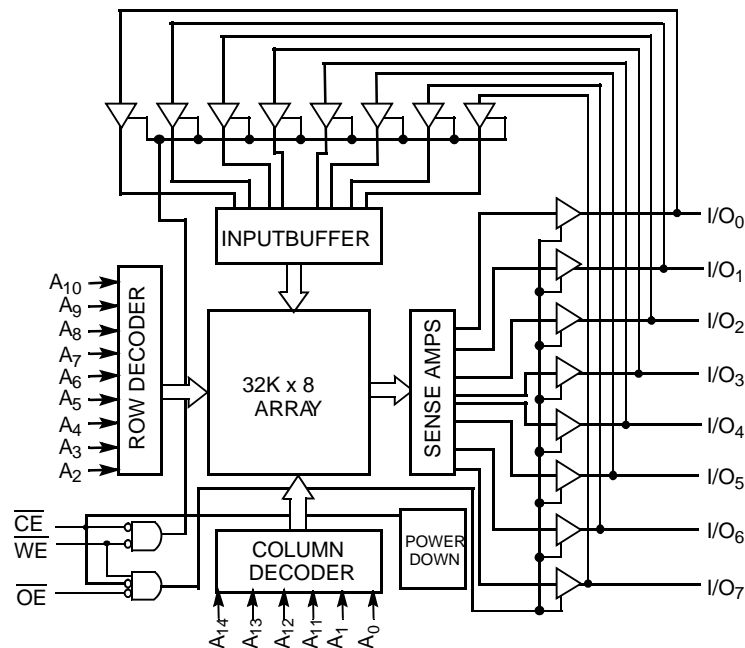
Functional Description^[1]

The CY62256N is a high-performance CMOS static RAM organized as 32K words by 8 bits. Easy memory expansion is provided by an active LOW chip enable ($\overline{\text{CE}}$) and active LOW output enable ($\overline{\text{OE}}$) and tri-state drivers. This device has an automatic power-down feature, reducing the power consumption by 99.9% when deselected.

An active LOW write enable signal ($\overline{\text{WE}}$) controls the writing/reading operation of the memory. When $\overline{\text{CE}}$ and $\overline{\text{WE}}$ inputs are both LOW, data on the eight data input/output pins (I/O_0 through I/O_7) is written into the memory location addressed by the address present on the address pins (A_0 through A_{14}). Reading the device is accomplished by selecting the device and enabling the outputs, $\overline{\text{CE}}$ and $\overline{\text{OE}}$ active LOW, while $\overline{\text{WE}}$ remains inactive or HIGH. Under these conditions, the contents of the location addressed by the information on address pins are present on the eight data input/output pins.

The input/output pins remain in a high-impedance state unless the chip is selected, outputs are enabled, and write enable ($\overline{\text{WE}}$) is HIGH.

Logic Block Diagram



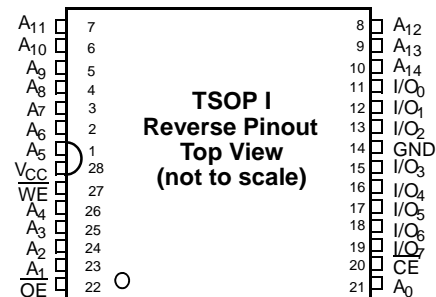
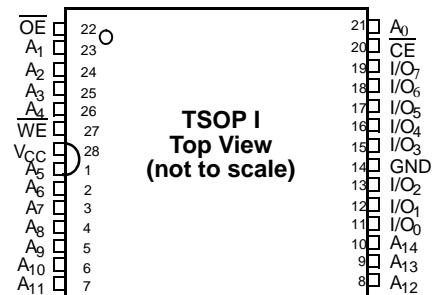
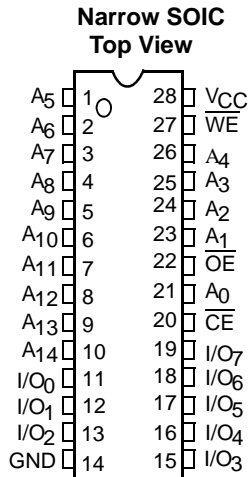
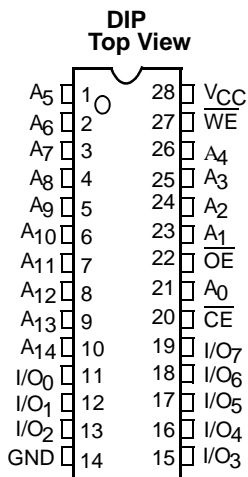
Note:

1. For best practice recommendations, please refer to the Cypress application note "System Design Guidelines" on <http://www.cypress.com>.

Product Portfolio

Product		V _{CC} Range (V)			Speed (ns)	Power Dissipation			
						Operating, I _{CC} (mA)		Standby, I _{SB2} (μA)	
		Min.	Typ. ^[2]	Max.		Typ. ^[2]	Max.	Typ. ^[2]	Max.
CY62256NL	Com'l / Ind'l	4.5	5.0	5.5	70	25	50	2	50
CY62256NLL	Commercial				70	25	50	0.1	5
CY62256NLL	Industrial				55/70	25	50	0.1	10
CY62256NLL	Automotive-A				55/70	25	50	0.1	10
CY62256NLL	Automotive-E				55	25	50	0.1	15

Pin Configurations



Pin Definitions

Pin Number	Type	Description
1–10, 21, 23–26	Input	A₀–A₁₄ . Address Inputs
11–13, 15–19,	Input/Output	I/O₀–I/O₇ . Data lines. Used as input or output lines depending on operation
27	Input/Control	WE . When selected LOW, a WRITE is conducted. When selected HIGH, a READ is conducted
20	Input/Control	CE . When LOW, selects the chip. When HIGH, deselects the chip
22	Input/Control	OE . Output Enable. Controls the direction of the I/O pins. When LOW, the I/O pins behave as outputs. When deasserted HIGH, I/O pins are tri-stated, and act as input data pins
14	Ground	GND . Ground for the device
28	Power Supply	V_{CC} . Power supply for the device

Note:

2. Typical specifications are the mean values measured over a large sample size across normal production process variations and are taken at nominal conditions (T_A = 25°C, V_{CC}). Parameters are guaranteed by design and characterization, and not 100% tested.

Maximum Ratings

(Above which the useful life may be impaired. For user guidelines, not tested.)

Storage Temperature	-65°C to +150°C
Ambient Temperature with Power Applied.....	-55°C to +125°C
Supply Voltage to Ground Potential (Pin 28 to Pin 14)	-0.5V to +7.0V
DC Voltage Applied to Outputs in High-Z State ^[3]	-0.5V to $V_{CC} + 0.5V$
DC Input Voltage ^[3]	-0.5V to $V_{CC} + 0.5V$

Output Current into Outputs (LOW).....	20 mA
Static Discharge Voltage.....	> 2001V (per MIL-STD-883, Method 3015)
Latch-up Current.....	> 200 mA

Operating Range

Range	Ambient Temperature (T_A) ^[7]	V_{CC}
Commercial	0°C to +70°C	5V ± 10%
Industrial	-40°C to +85°C	5V ± 10%
Automotive-A	-40°C to +85°C	5V ± 10%
Automotive-E	-40°C to +125°C	5V ± 10%

Electrical Characteristics Over the Operating Range

Parameter	Description	Test Conditions	-55			-70			Unit
			Min.	Typ. ^[2]	Max.	Min.	Typ. ^[2]	Max.	
V_{OH}	Output HIGH Voltage	$V_{CC} = \text{Min.}, I_{OH} = -1.0 \text{ mA}$	2.4			2.4			V
V_{OL}	Output LOW Voltage	$V_{CC} = \text{Min.}, I_{OL} = 2.1 \text{ mA}$			0.4			0.4	V
V_{IH}	Input HIGH Voltage		2.2		$V_{CC} + 0.5V$	2.2		$V_{CC} + 0.5V$	V
V_{IL}	Input LOW Voltage		-0.5		0.8	-0.5		0.8	V
I_{IX}	Input Leakage Current	$GND \leq V_I \leq V_{CC}$	-0.5		+0.5	-0.5		+0.5	μA
I_{OZ}	Output Leakage Current	$GND \leq V_O \leq V_{CC}$, Output Disabled	-0.5		+0.5	-0.5		+0.5	μA
I_{CC}	V_{CC} Operating Supply Current	$V_{CC} = \text{Max.}, I_{OUT} = 0 \text{ mA}, f = f_{MAX} = 1/t_{RC}$	L-Comm'l/ Ind'l				25	50	mA
			LL-Comm'l				25	50	mA
			LL - Ind'l	25	50		25	50	mA
			LL - Auto-A	25	50		25	50	mA
			LL - Auto-E	25	50				mA
I_{SB1}	Automatic CE Power-down Current—TTL Inputs	Max. V_{CC} , $\overline{CE} \geq V_{IH}$, $V_{IN} \geq V_{IH}$ or $V_{IN} \leq V_{IL}$, $f = f_{MAX}$	L				0.4	0.6	mA
			LL-Comm'l				0.3	0.5	mA
			LL - Ind'l	0.3	0.5		0.3	0.5	mA
			LL - Auto-A	0.3	0.5		0.3	0.5	mA
			LL - Auto-E	0.3	0.5				mA
I_{SB2}	Automatic CE Power-down Current—CMOS Inputs	Max. V_{CC} , $\overline{CE} \geq V_{CC} - 0.3V$, $V_{IN} \geq V_{CC} - 0.3V$, or $V_{IN} \leq 0.3V$, $f = 0$	L				2	50	μA
			LL-Comm'l				0.1	5	μA
			LL - Ind'l	0.1	10		0.1	10	μA
			LL - Auto-A	0.1	10		0.1	10	μA
			LL - Auto-E	0.1	15				μA

Capacitance^[8]

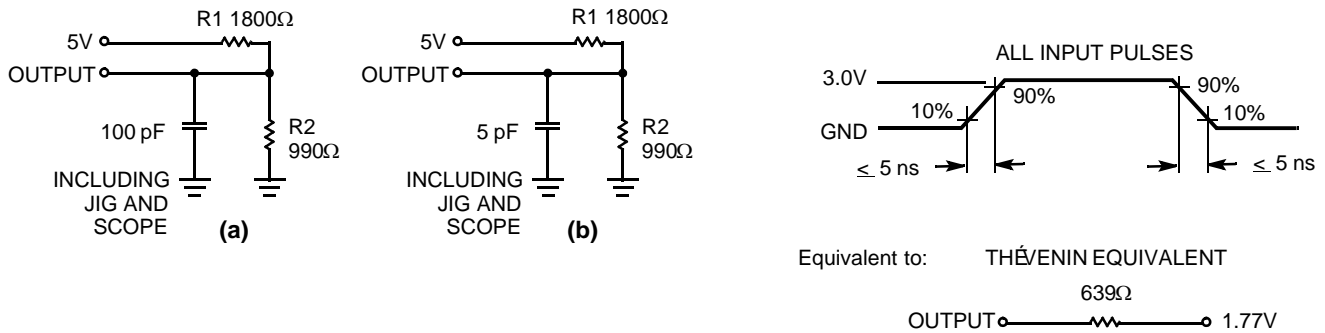
Parameter	Description	Test Conditions	Max.	Unit
C_{IN}	Input Capacitance	$T_A = 25^\circ\text{C}, f = 1 \text{ MHz}, V_{CC} = 5.0V$	6	pF
C_{OUT}	Output Capacitance		8	pF

Notes:

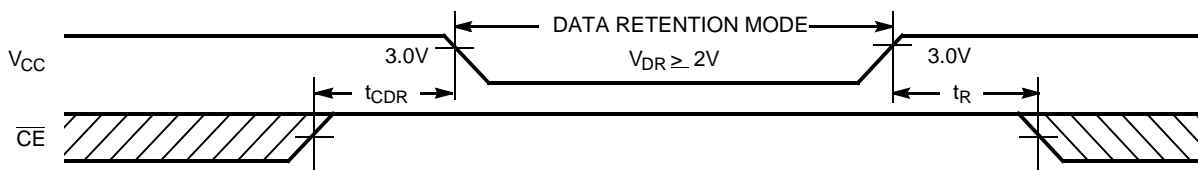
- $V_{IL}(\text{min.}) = -2.0V$ for pulse durations of less than 20 ns.
- T_A is the "Instant-On" case temperature.
- Tested initially and after any design or process changes that may affect these parameters.

Thermal Resistance^[5]

Parameter	Description	Test Conditions	DIP	SOIC	TSOP	RTSOP	Unit
Θ_{JA}	Thermal Resistance (Junction to Ambient)	Still Air, soldered on a 4.25 x 1.125 inch, 4-layer printed circuit board	75.61	76.56	93.89	93.89	°C/W
Θ_{JC}	Thermal Resistance (Junction to Case)		43.12	36.07	24.64	24.64	°C/W

AC Test Loads and Waveforms

Data Retention Characteristics

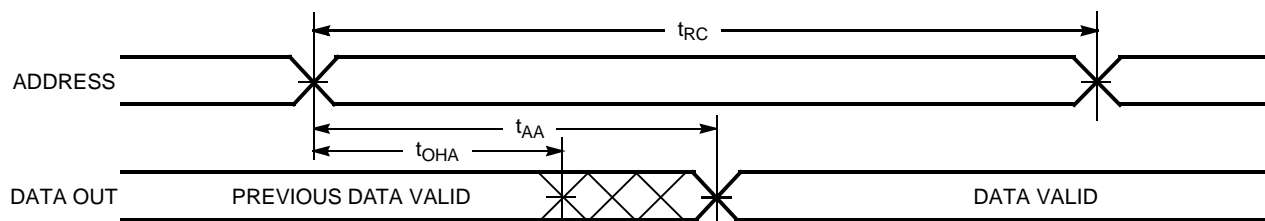
Parameter	Description	Conditions ^[6]	Min.	Typ. ^[2]	Max.	Unit
V_{DR}	V_{CC} for Data Retention		2.0			V
I_{CCDR}	Data Retention Current	L	$V_{CC} = 2.0V, CE \geq V_{CC} - 0.3V, V_{IN} \geq V_{CC} - 0.3V, \text{ or } V_{IN} \leq 0.3V$	2	50	μA
		LL-Comm'l		0.1	5	μA
		LL - Ind'l/Auto-A		0.1	10	μA
		LL - Auto-E		0.1	10	μA
$t_{CDR}^{[8]}$	Chip Deselect to Data Retention Time		0			ns
$t_R^{[8]}$	Operation Recovery Time		t_{RC}			ns

Data Retention Waveform

Note:

6. No input may exceed $V_{CC} + 0.5V$.

Switching Characteristics Over the Operating Range^[7]

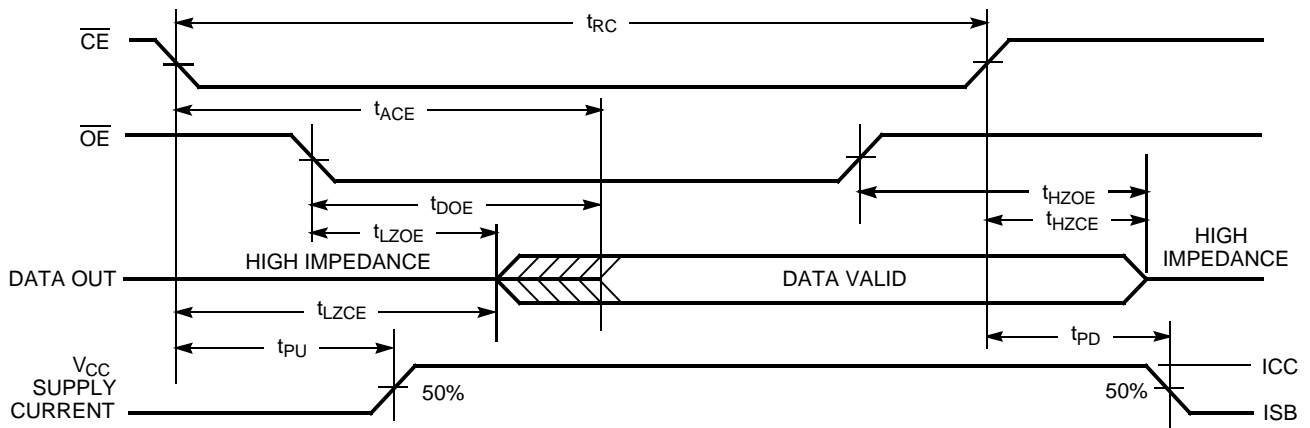
Parameter	Description	CY62256N-55		CY62256N-70		Unit
		Min.	Max.	Min.	Max.	
Read Cycle						
t_{RC}	Read Cycle Time	55		70		ns
t_{AA}	Address to Data Valid		55		70	ns
t_{OHA}	Data Hold from Address Change	5		5		ns
t_{ACE}	\overline{CE} LOW to Data Valid		55		70	ns
t_{DOE}	\overline{OE} LOW to Data Valid		25		35	ns
t_{LZOE}	\overline{OE} LOW to Low-Z ^[8]	5		5		ns
t_{HZOE}	\overline{OE} HIGH to High-Z ^[8, 9]		20		25	ns
t_{LZCE}	\overline{CE} LOW to Low-Z ^[8]	5		5		ns
t_{HZCE}	\overline{CE} HIGH to High-Z ^[8, 9]		20		25	ns
t_{PU}	\overline{CE} LOW to Power-up	0		0		ns
t_{PD}	\overline{CE} HIGH to Power-down		55		70	ns
Write Cycle^[10, 11]						
t_{WC}	Write Cycle Time	55		70		ns
t_{SCE}	\overline{CE} LOW to Write End	45		60		ns
t_{AW}	Address Set-up to Write End	45		60		ns
t_{HA}	Address Hold from Write End	0		0		ns
t_{SA}	Address Set-up to Write Start	0		0		ns
t_{PWE}	\overline{WE} Pulse Width	40		50		ns
t_{SD}	Data Set-up to Write End	25		30		ns
t_{HD}	Data Hold from Write End	0		0		ns
t_{HZWE}	\overline{WE} LOW to High-Z ^[8, 9]		20		25	ns
t_{LZWE}	\overline{WE} HIGH to Low-Z ^[8]	5		5		ns

Switching Waveforms
Read Cycle No. 1^[12, 13]

Notes:

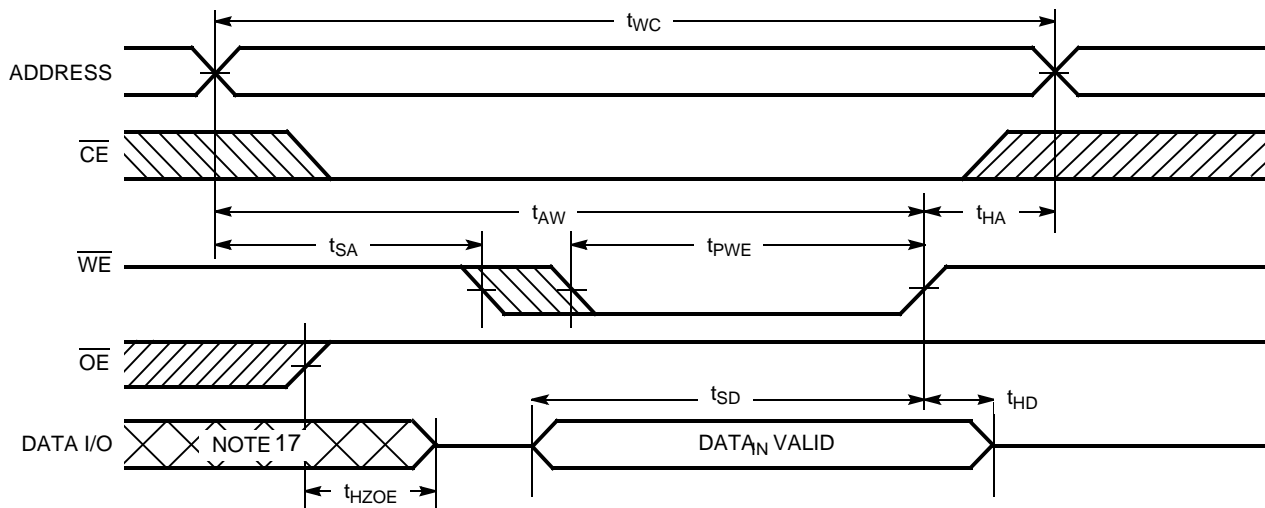
7. Test conditions assume signal transition time of 5 ns or less, timing reference levels of 1.5V, input pulse levels of 0 to 3.0V, and output loading of the specified I_{OL}/I_{OH} and 100-pF load capacitance.
8. At any given temperature and voltage condition, t_{HZCE} is less than t_{LZCE} , t_{HZOE} is less than t_{LZOE} , and t_{HZWE} is less than t_{LZWE} for any given device.
9. t_{HZOE} , t_{HZCE} , and t_{HZWE} are specified with $C_L = 5$ pF as in (b) of AC Test Loads. Transition is measured ± 500 mV from steady-state voltage.
10. The internal Write time of the memory is defined by the overlap of \overline{CE} LOW and \overline{WE} LOW. Both signals must be LOW to initiate a Write and either signal can terminate a Write by going HIGH. The data input set-up and hold timing should be referenced to the rising edge of the signal that terminates the Write.
11. The minimum Write cycle time for Write Cycle #3 (\overline{WE} controlled, \overline{OE} LOW) is the sum of t_{HZWE} and t_{SD} .
12. Device is continuously selected. \overline{OE} , $\overline{CE} = V_{IL}$.
13. \overline{WE} is HIGH for Read cycle.

Switching Waveforms (continued)

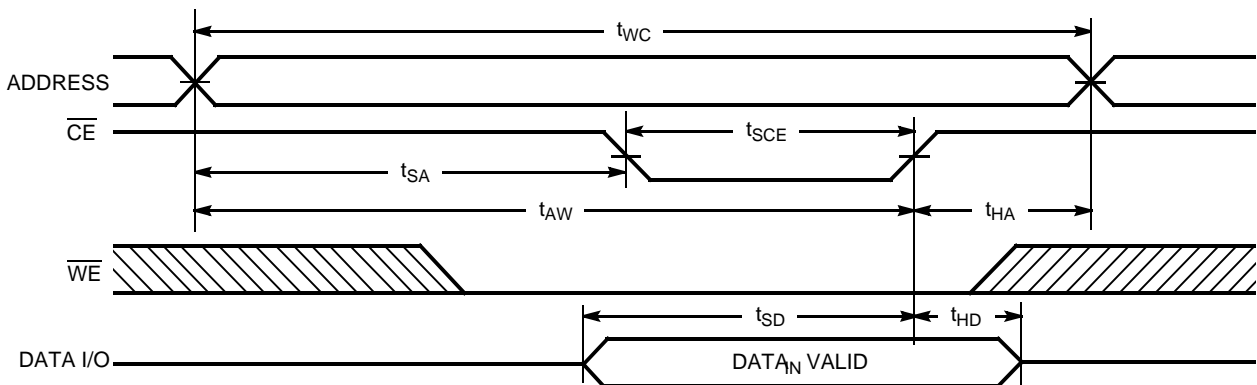
Read Cycle No. 2^[13, 14]



Write Cycle No. 1 (WE Controlled)^[10, 15, 16]



Write Cycle No. 2 (CE Controlled)^[10, 15, 16]

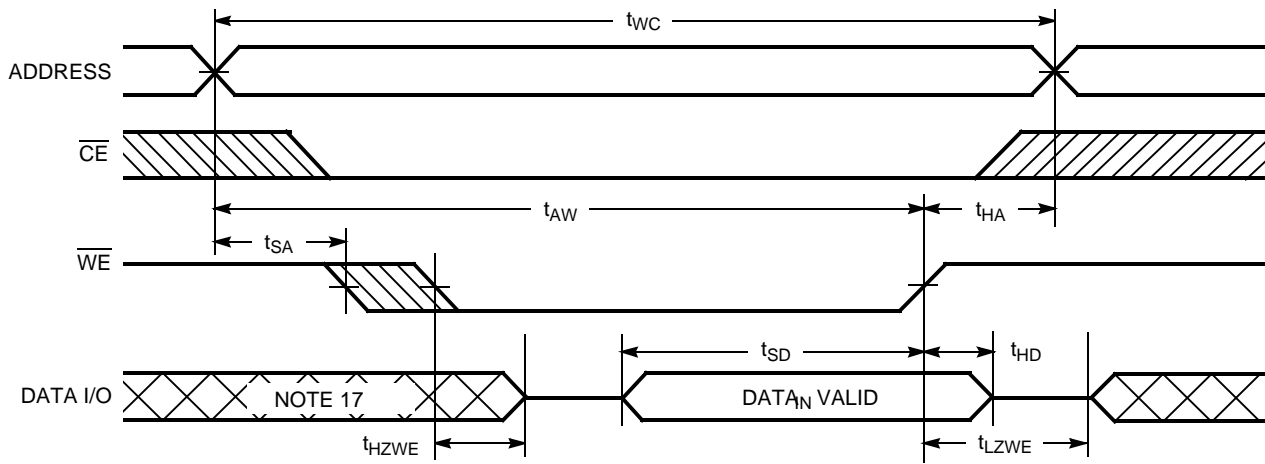


Notes:

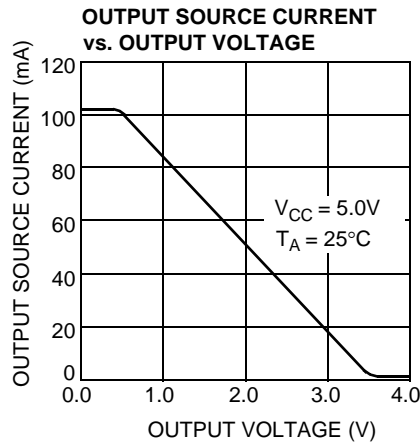
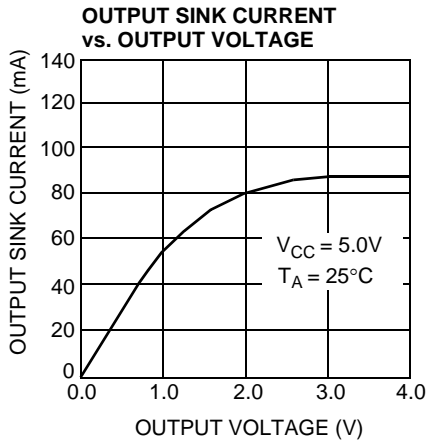
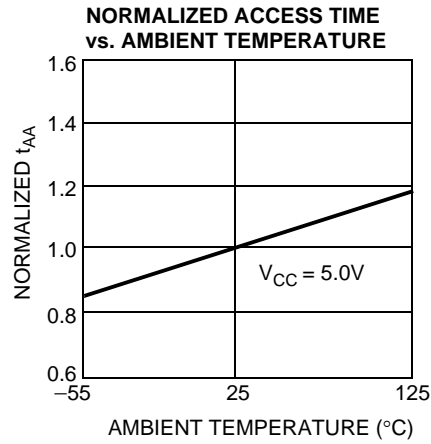
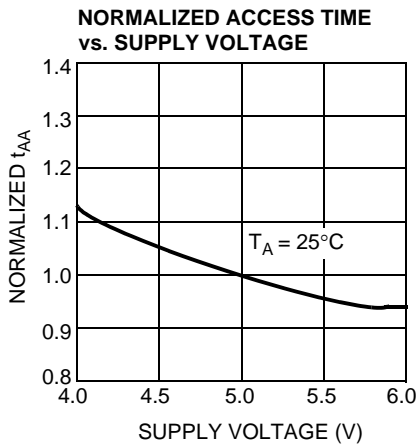
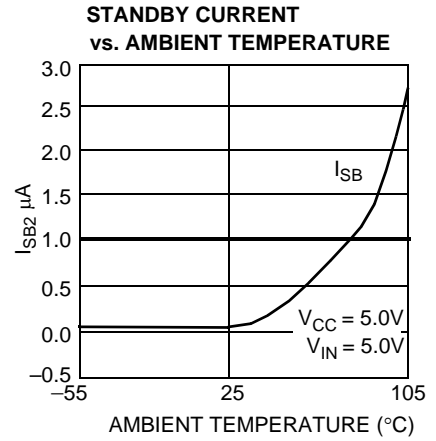
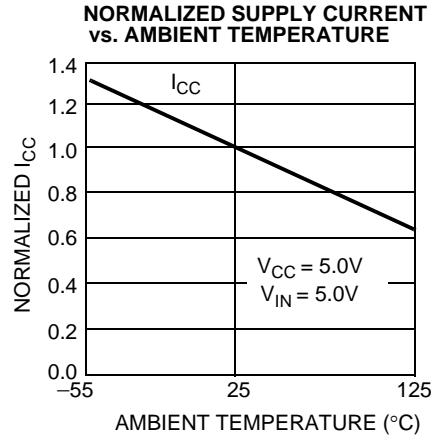
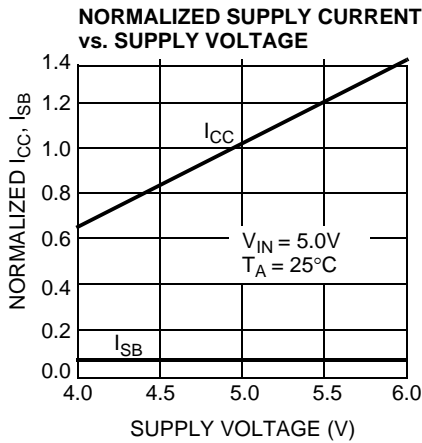
- 14. Address valid prior to or coincident with \overline{CE} transition LOW.
- 15. Data I/O is high impedance if $OE = V_{IH}$.
- 16. If \overline{CE} goes HIGH simultaneously with \overline{WE} HIGH, the output remains in a high-impedance state.
- 17. During this period, the I/Os are in output state and input signals should not be applied.

Switching Waveforms (continued)

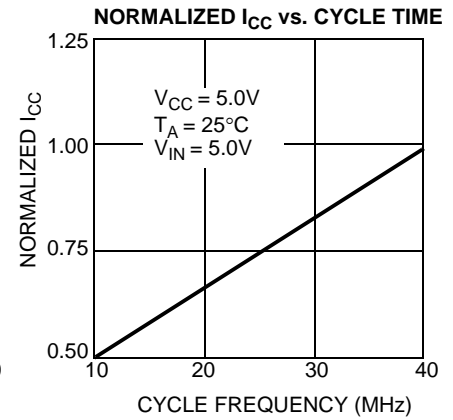
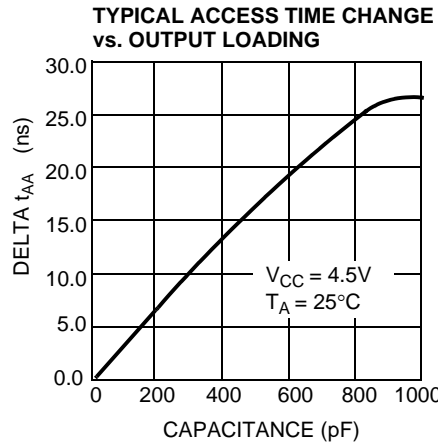
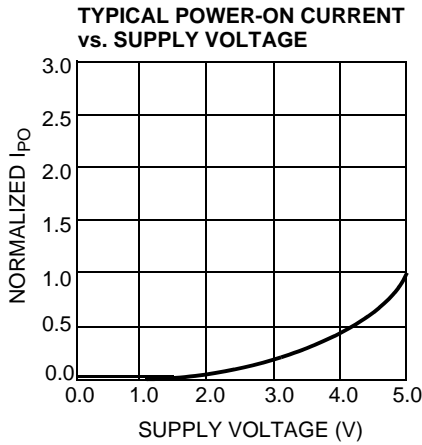
Write Cycle No. 3 (\overline{WE} Controlled, \overline{OE} LOW)^[11, 16]



Typical DC and AC Characteristics



Typical DC and AC Characteristics (continued)



Truth Table

\overline{CE}	\overline{WE}	\overline{OE}	Inputs/Outputs	Mode	Power
H	X	X	High-Z	Deselect/Power-down	Standby (I_{SB})
L	H	L	Data Out	Read	Active (I_{CC})
L	L	X	Data In	Write	Active (I_{CC})
L	H	H	High-Z	Output Disabled	Active (I_{CC})

Ordering Information

Speed (ns)	Ordering Code	Package Diagram	Package Type	Operating Range
55	CY62256NLL-55SNI	51-85092	28-lead (300-Mil) Narrow SOIC	Industrial
	CY62256NLL-55SNXI		28-lead (300-Mil) Narrow SOIC (Pb-Free)	
	CY62256NLL-55ZI	51-85071	28-lead TSOP I	
	CY62256NLL-55ZXI		28-lead TSOP I (Pb-Free)	
	CY62256NLL-55ZXA	51-85071	28-lead TSOP I (Pb-Free)	Automotive-A
	CY62256NLL-55SNXE	51-85092	28-lead (300-Mil) Narrow SOIC (Pb-Free)	Automotive-E
	CY62256NLL-55ZXE	51-85071	28-lead TSOP I (Pb-Free)	
	CY62256NLL-55ZRXE	51-85074	28-lead Reverse TSOP I (Pb-Free)	
70	CY62256NL-70PC	51-85017	28-lead (600-Mil) Molded DIP	Commercial
	CY62256NL-70PXC		28-lead (600-Mil) Molded DIP (Pb-Free)	
	CY62256NLL-70PC		28-lead (600-Mil) Molded DIP	
	CY62256NLL-70PXC		28-lead (600-Mil) Molded DIP (Pb-Free)	
	CY62256NL-70SNC	51-85092	28-lead (300-Mil) Narrow SOIC	
	CY62256NL-70SNXC		28-lead (300-Mil) Narrow SOIC (Pb-Free)	
	CY62256NLL-70SNC		28-lead (300-Mil) Narrow SOIC	
	CY62256NLL-70SNXC		28-lead (300-Mil) Narrow SOIC (Pb-Free)	
	CY62256NLL-70ZC	51-85071	28-lead TSOP I	
	CY62256NLL-70ZXC		28-lead TSOP I (Pb-Free)	
	CY62256NL-70SNI	51-85092	28-lead (300-Mil) Narrow SOIC	Industrial
	CY62256NL-70SNXI		28-lead (300-Mil) Narrow SOIC (Pb-Free)	
	CY62256NLL-70SNI		28-lead (300-Mil) Narrow SOIC	
	CY62256NLL-70SNXI		28-lead (300-Mil) Narrow SOIC (Pb-Free)	
	CY62256NLL-70ZI	51-85071	28-lead TSOP I	
	CY62256NLL-70ZXI		28-lead TSOP I (Pb-Free)	
	CY62256NLL-70ZRI	51-85074	28-lead Reverse TSOP I	
	CY62256NLL-70ZRXI		28-lead Reverse TSOP I (Pb-Free)	
	CY62256NLL-70SNXA	51-85092	28-lead (300-Mil) Narrow SOIC (Pb-Free)	Automotive-A

Please contact your local Cypress sales representative for availability of these parts

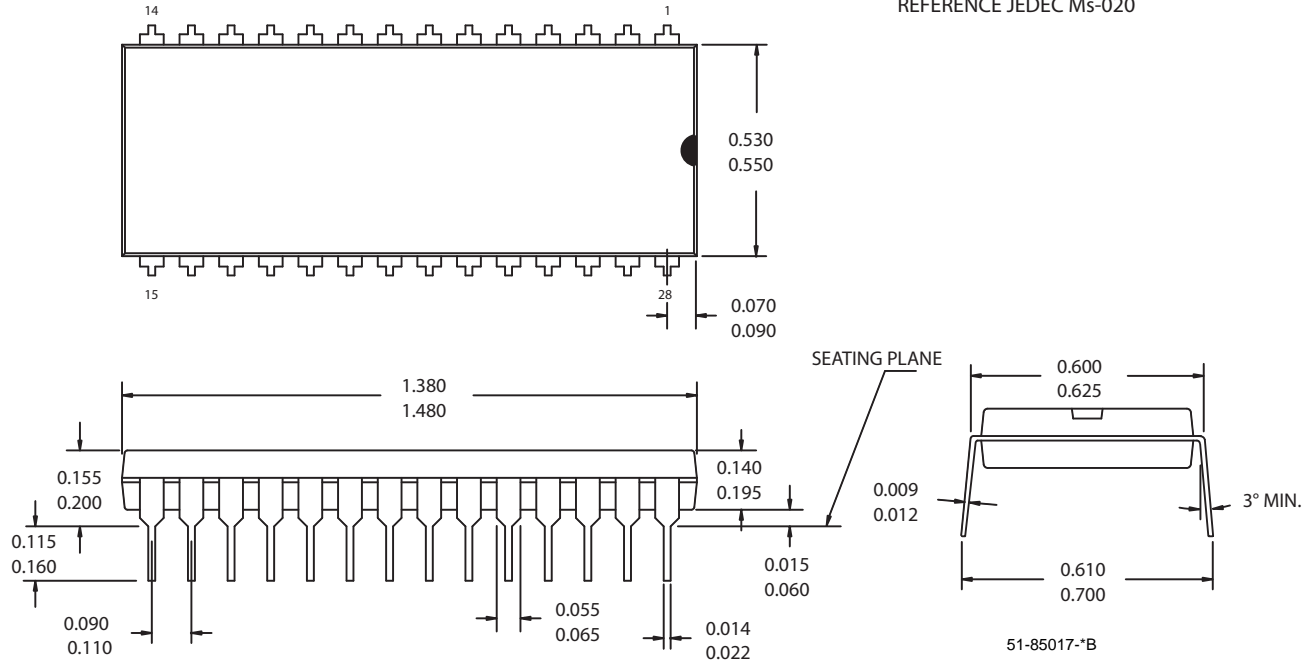
Package Diagrams

28-lead (600-Mil) Molded DIP (51-85017)

DIMENSIONS IN INCHES

MIN.
MAX.

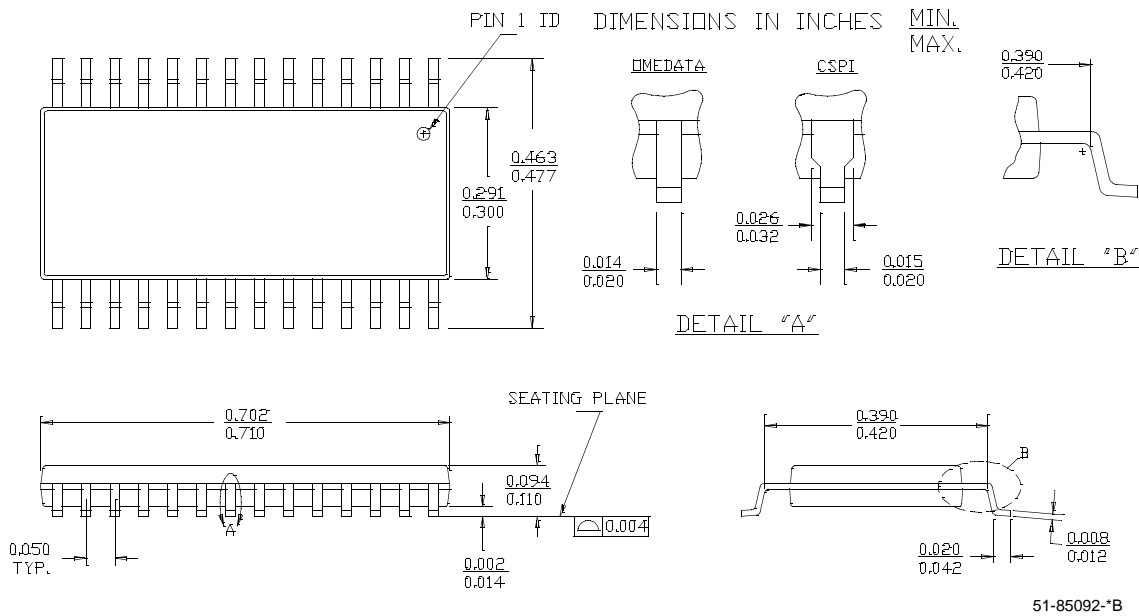
REFERENCE JEDEC Ms-020



28-lead (300-mil) SNC (Narrow Body) (51-85092)

DIMENSIONS IN INCHES

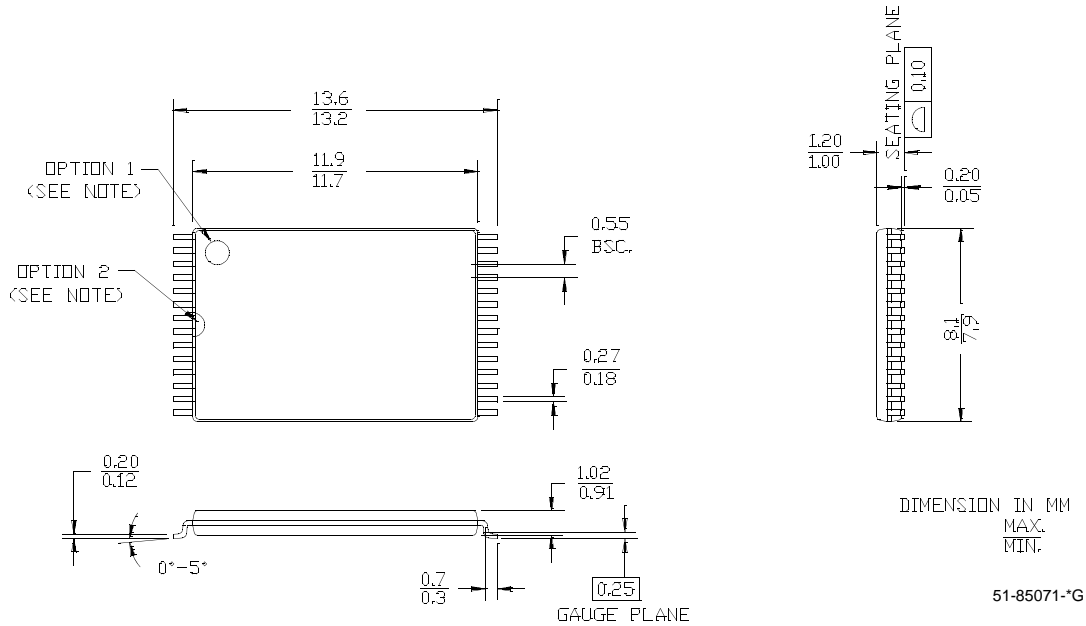
MIN.
MAX.



Package Diagrams (continued)

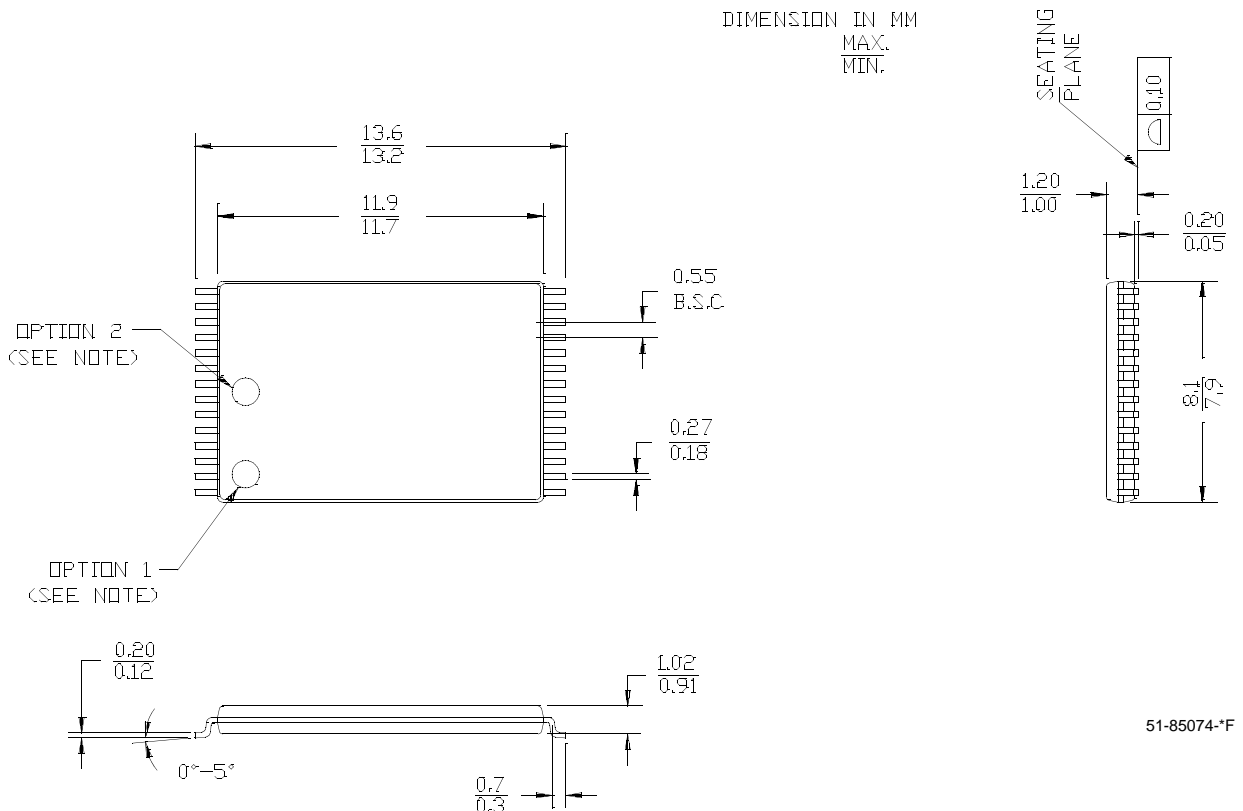
28-lead TSOP I (8 x 13.4 mm) (51-85071)

NOTE: ORIENTATION I.D. MAY BE LOCATED EITHER AS SHOWN IN OPTION 1 OR OPTION 2



28-Lead RTSOP I (8 x 13.4 mm) (51-85074)

NOTE: ORIENTATION I.D. MAY BE LOCATED EITHER AS SHOWN IN OPTION 1 OR OPTION 2



All product and company names mentioned in this document are the trademarks of their respective holders.

Document History Page

Document Title: CY62256N 256K (32K x 8) Static RAM				
Document Number: 001- 06511				
REV.	ECN NO.	Issue Date	Orig. of Change	Description of Change
**	426504	See ECN	NXR	New Data Sheet
*A	488954	See ECN	NXR	Added Automotive product Updated ordering Information table